



## Open Gas Deck Oven

Six Models Available

Small footprint

- \* *Stainless Steel Top, Sides and Front.*
- \* *Long life super efficient stainless steel tubular burners every 12".*
- \* *Interior top heat damper control.*
- \* *120v, 208v, 220v or 240v electrical connection available.*
- \* *Side or rear gas connection 1/2" npt.*
- \* *Front large plate shelf.*
- \* *Fully insulated to conserve energy.*
- \* *Fits through 34" doorway.*
- \* *12", 18", 24" or 30" legs 12ga. steel painted legs available. Must specify size when ordering oven.*
- \* *1 1/2" refractory stone hearth over metal undersheets 12ga. steel with 1 1/2" airspace between burners and flame diverters for even heat throughout.*

### AVAILABLE OPTIONS

- \*Stainless Steel legs
- \*Locking Casters for legs

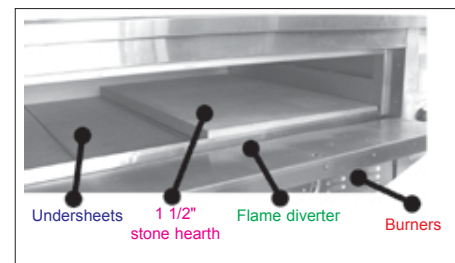
**Stackable with our  
standard deck ovens**



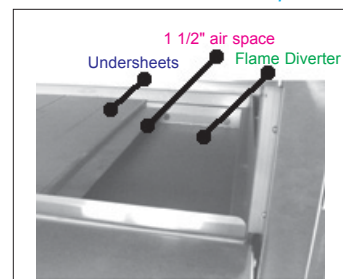
*Cooking pizza & other products*



*Stone hearth & undersheets*



*Flame diverter & air space*



# Open Gas Deck Oven

Gas Connection: Equipped with 1/2" NPT gas connection on side or rear.

Stacking: With our standard Deck Ovens stack evenly with no wasted space between top and bottom units. Stacked units must be connected separately.

Ventilation: Proper ventilation is required.

Installation: Oven comes in two parts plus the legs. Oven body is 26" and the top is 10".

Adjustable damper to control top heat



## Cooking Surfaces

### Regular Models:

309-O: 36" W x 36"D

312-O: 48" W x 36"D

315-O: 60" W x 36"D

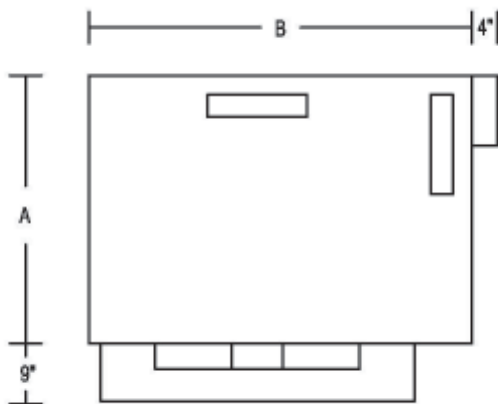
### Space Saver Models:

309-O SS: 36" W x 30"D

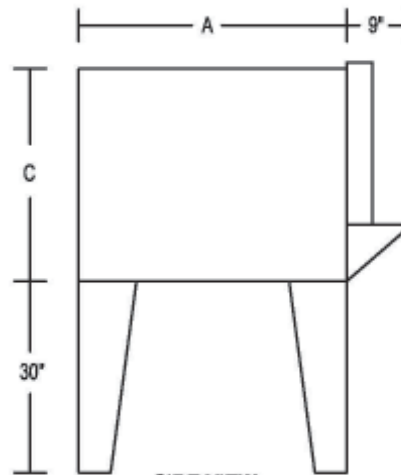
312-O SS: 48" W x 30"D

315-O SS: 60" W x 30"D

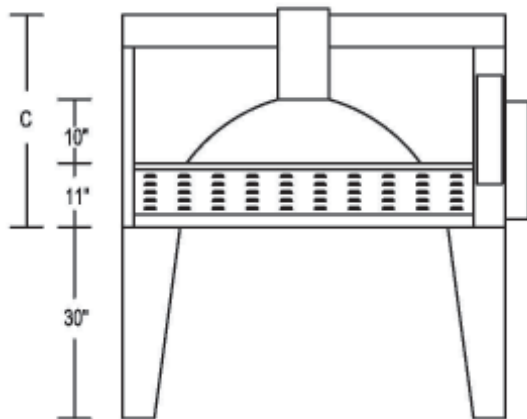
Available in Natural or Propane Gas - Electrical requirements: 110v (1 amp)



**TOP VIEW**



**SIDE VIEW**



**FRONT VIEW**

Models	"A" Depth <i>Front Shelf 9"</i>	"B" Width <i>Damper control 4"</i>	"C" Height	B.T.U
309-0	42" + 9"	48" + 4"	36" + legs	82,000
312-0	42" + 9"	60" + 4"	36" + legs	102,000
315-0	42" + 9"	72" + 4"	36" + legs	122,000
<i>Space Saver Model</i>				
309-0 SS	36" + 9"	48" + 4"	36" + legs	82,000
312-0 SS	36" + 9"	60" + 4"	36" + legs	102,000
315-0-SS	36" + 9"	72" + 4"	36" + legs	122,000
<i>Available Legs 12", 18", 24" or 30"</i>				

**ZESTO** FOOD EQUIPMENT MANUFACTURING INC.  
MANUFACTURIER D'EQUIPEMENT EN ALIMENTATION INC.

4575 PARK AVENUE, MONTREAL, QC, CANADA H2V 4C8  
TEL(514)278-4621, (514) 448-1600 FAX(514)278-4622  
e-mail info@zesto.ca www.zesto.ca

SPECIFICATIONS SUBJECT TO CHANGE WITHOUT NOTICE.

LES SPÉCIFICATIONS SONT SUJETS À CHANGEMENT SANS AVIS.