

# ZESTO

## Gas Conveyor Oven CG 6024



- \* 24" (61cm) conveyor belt.
- \* Stainless Steel Construction.
- \* Front mount controls for easy view and access.
- \* Electronic temperature control with digital read-out.
- \* Variable digital speed control on conveyor belt.
- \* Cook time from 1 - 20 minutes.
- \* Reversible conveyor belt direction.
- \* Thermally insulated for energy efficiency.

- \* Efficient power Gas Burner
- \* High velocity precision targeted air flow distribution panels for consistent repeatable baking results.
- \* Stackable (up to 2 units high).
- \* Removable front panel, crumb tray, top and bottom air flow distribution panels for easy cleaning.
- \* Legs with locking casters (17", 23" or 29" available)



Removable panels for easy cleaning  
"U.S." Patent # 6,192,877 B1

**Ideal for a variety of cooking applications including pizza, seafood, omelettes and other egg dishes, pre-cooked meats, cookies, bakery products, pita breads, heating plated Mexican food and hot submarine sandwiches.**

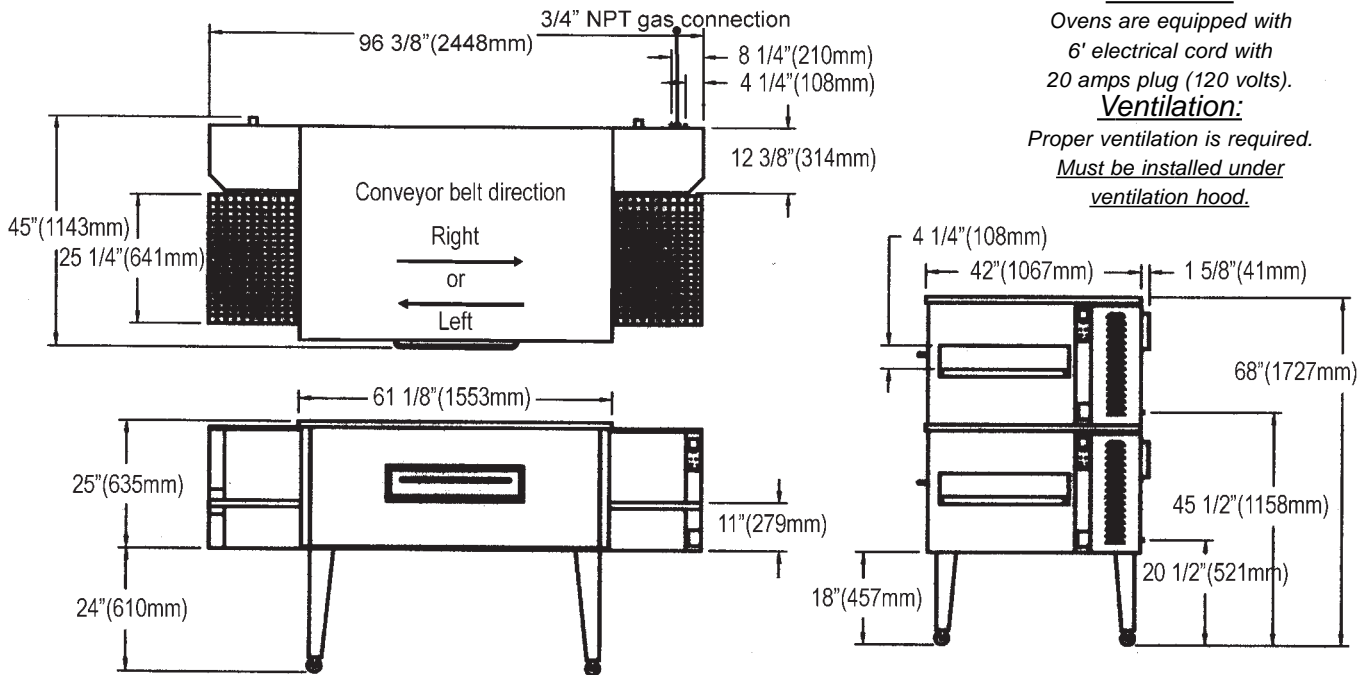
# Gas Conveyor Oven CG 6024



Conforms to: ANSI Std. Z83.11  
Conforms to: CGA Std. 1.8



Conforms to:  
Std. NSF-4



**Gas connection:**

Equipped with 3/4" NPT gas connection at rear.

**Electrical:**

Ovens are equipped with 6' electrical cord with 20 amps plug (120 volts).

**Ventilation:**

Proper ventilation is required.

Must be installed under ventilation hood.

<b>Approximate production per hour / per section / bake time in minutes (6024)</b>							
Pan diameter	5 min	6 min	6.45 min	7 min	7.5 min	8 min	9 min
6" (15 cm)	477	398	369	339	317	297	264
8" (20 cm)	267	223	206	189	178	165	148
10" (25 cm)	169	141	131	121	113	106	93
12" (30 cm)	118	98	91	83	78	73	63
14" (35 cm)	86	71	66	61	56	53	45
16" (40 cm)	65	55	50	46	43	40	35

Cooking Chamber 60" (152.4 cm) long X 24" (61 cm) deep

Model	B.T.U.	Exterior dimensions	Length of belt	Voltages	Ship wt..
CG 6024	140,000	96"L x 42"D 244cm x 107cm	96"L x 24"D 244cm x 61cm	120v / 1 $\phi$ (13.5 amps) 208v - 240v / 1 $\phi$ (8 amps)	1090 lbs 495 kg

Propane or Natural gas, also available in 50 or 60 cycles

**ZESTO** FOOD EQUIPMENT MANUFACTURING INC.  
MANUFACTURIER D'EQUIPEMENT EN ALIMENTATION INC.

6450 HUTCHISON, MONTREAL, QC, CANADA H2V 4C8  
TEL(514)278-4621 FAX(514)278-4622  
e-mail info@zesto.ca www.zesto.ca

SPECIFICATIONS SUBJECT TO CHANGE WITHOUT NOTICE.

LES SPÉCIFICATIONS SONT SUJETS À CHANGEMENT SANS AVIS.