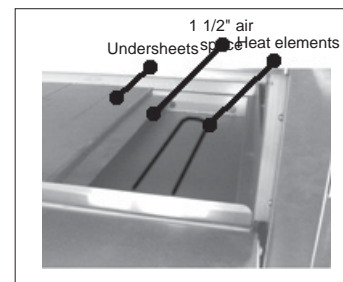
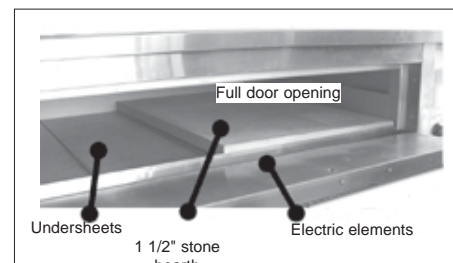


ZESTO

Electric Pizza and Bake Oven Model 903



- * ***Stainless Steel Top, Sides and Front.***
- * ***Long life super efficient tubular elements.***
- * ***12", 18", 24" or 30" legs 12ga. steel painted legs available. Must specify size when ordering oven.***
- * ***Door opening full size of deck.***
- * ***1 1/2" refractory stone hearth over metal undersheets (12ga. steel) with heating elements in 1 1/2" airspace for even heat distribution throughout oven cavity.***



Options

- * ***12", 18", 24" or 30" stainless steel legs.***
- * ***Center wire shelf.***
- * ***Locking casters for legs.***
- * ***Steam Injection: Interior S/S piping ready to receive external steam (by others).***
- * ***Electronic temperature control.***

Electric Pizza and Bake Oven

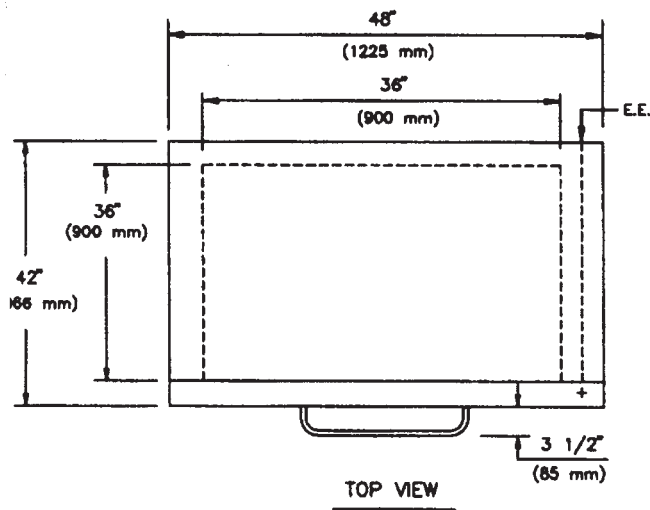
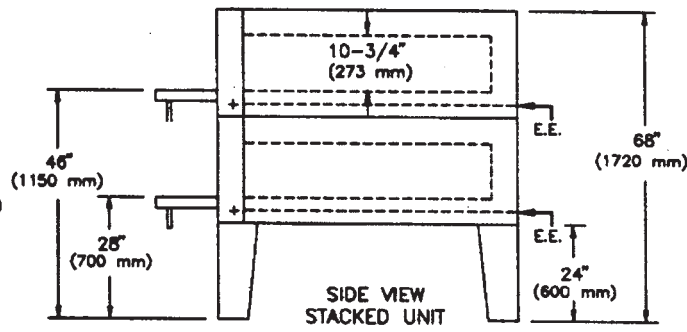
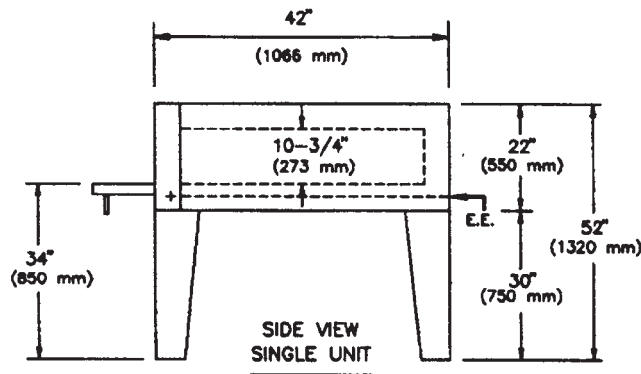
Model 903



Conforms to: ANSI / UL Std. 197
Conforms to: CSA C22.2 Std. 109

Conforms to:
Std. NSF-4

Cooking surface
36"(91cm) wide x 36"(91cm) deep



- * **Even heating throughout.**
- * **Individual top and bottom heat controls allow any variation of baking requirements**
- * **Ovens (double or triple) stack evenly with no wasted space between top and bottom units. Stacked units should be connected seperately.**
- * **Units thermally insulated for cost effective operation.**

Capacities

4 pies 16" (41cm)

9 pies 12" (30cm)

2 Bun pans 18"(46cm) x 26"(66cm)

Model	Exterior Dimentions	Interior Dimentions	Electrical (Amperage)		Weight
903	48" wide x 36" deep (1255mm x 900mm)	36" wide x 30" deep (900mm x 750mm)	208v /1 ph = 32.9 A 220v /1 ph = 34.8 A 240v /1 ph = 37.9 A	208v /3 ph = 19 A 220v /3 ph = 20 A 240v /3 ph = 21.9 A	646 lbs (293 kg)

Available in 50 or 60 cycles. Amperage could vary if input volts are not the same as indicated.

ZESTO FOOD EQUIPMENT MANUFACTURING INC.
MANUFACTURIER D'EQUIPEMENT EN ALIMENTATION INC.

6450 HUTCHISON, MONTREAL, QC, CANADA H2V 4C8
TEL(514)278-4621 FAX(514)278-4629
e-mail info@zesto.ca www.zesto.ca

SPECIFICATIONS SUBJECT TO CHANGE WITHOUT NOTICE.

LES SPÉCIFICATIONS SONT SUJETS À CHANGEMENT SANS AVIS.