

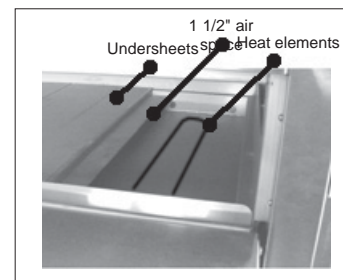
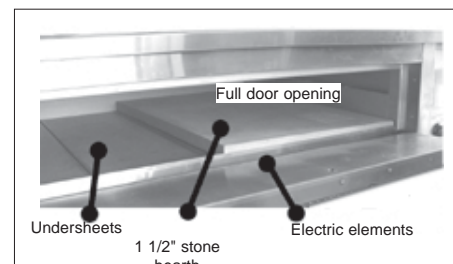
# ZESTO

## Electric Pizza and Bake Oven Model 1203 SS

*Space saver model only 36"(91cm) deep to fit kitchen lineup*



- \* **Stainless Steel Top, Sides and Front.**
- \* **Long life super efficient tubular elements.**
- \* **12",18", 24" or 30" legs 12ga. steel painted legs available. Must specify size when ordering oven.**
- \* **Door opening full size of deck.**
- \* **1 1/2" refractory stone hearth over metal undersheets (12ga. steel) with heating elements in 1 1/2" airspace for even heat distribution throughout oven cavity.**



### Options

- \* **12",18", 24" or 30" stainless steel legs.**
- \* **Locking casters for legs.**
- \* **Electronic temperature control.**
- \* **Center wire shelf.**
- \* **Steam Injection: Interior S/S piping ready to receive external steam (by others).**

# Electric Pizza and Bake Oven

## Model 1203 SS



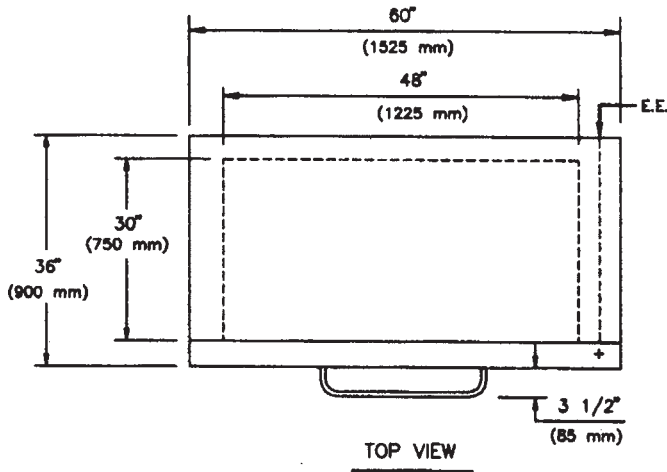
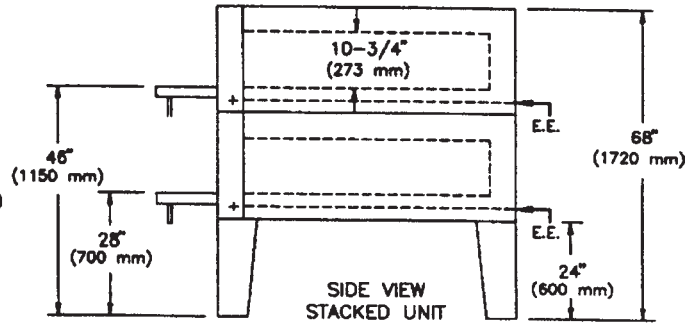
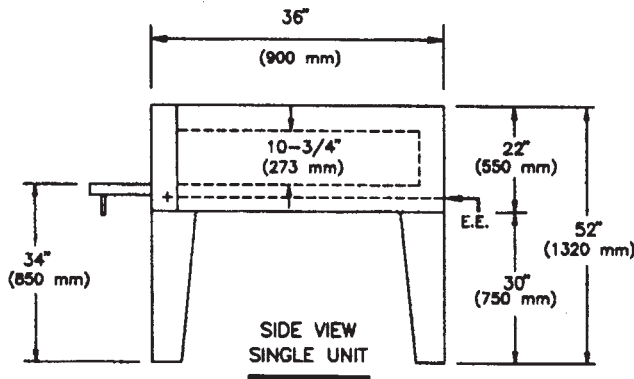
Conforms to: ANSI / UL Std. 197  
Conforms to: CSA C22.2 Std. 109



Conforms to:  
Std. NSF-4

***Space saver model only 36" (91cm) deep to fit kitchen lineup***

**Cooking surface**  
**48" (122cm) wide x 30" (76cm) deep**



- \* **Even heating throughout.**
- \* **Individual top and bottom heat controls allow any variation of baking requirements**
- \* **Ovens (double or triple) stack evenly with no wasted space between top and bottom units. Stacked units should be connected separately.**
- \* **Units thermally insulated for cost effective operation.**

### Capacities

**4 pies 16" (41cm)**

**8 pies 12" (30cm)**

**2 Bun pans 18" (46cm) x 26" (66cm)**

| Model   | Exterior Dimentions                     | Interior Dimentions                     | Electrical (Amperage)   |   | Weight              |
|---------|---|---|---|---|---------------------|
| 1203 SS | 60" wide x 36" deep<br>(1525mm x 900mm) | 48" wide x 30" deep<br>(1225mm x 750mm) | 208v /1 ph = 43.8 A<br>220v /1 ph = 46.4 A<br>240v /1 ph = 50.5 A | 208v /3 ph = 25.3 A<br>220v /3 ph = 26.8 A<br>240v /3 ph = 29.2 A | 698 lbs<br>(317 kg) |

Available in 50 or 60 cycles. Amperage could vary if input volts are not the same as indicated.

**ZESTO** FOOD EQUIPMENT MANUFACTURING INC.  
MANUFACTURIER D'EQUIPEMENT EN ALIMENTATION INC.

6450 HUTCHISON, MONTREAL, QC, CANADA H2V 4C8  
TEL(514)278-4621 FAX(514)278-4622  
e-mail info@zesto.ca www.zesto.ca

SPECIFICATIONS SUBJECT TO CHANGE WITHOUT NOTICE.

LES SPÉCIFICATIONS SONT SUJETS À CHANGEMENT SANS AVIS.